

XY2CE2A270

Latching emergency stop rope pull switch,
Telemecanique rope pull switches XY2C, e
XY2CE, LH side -2NC, booted pushbutton



Main

| | |
|---------------------------|---|
| Range of product | Telemecanique Emergency stop rope pull switches XY2C |
| Product or component type | Latching emergency stop rope pull switch |
| Device short name | XY2CE |
| Housing colour | Red RAL 3000 |
| Overtoltage category | Class I conforming to EN/IEC 61140 Class I conforming to NF C 20-030 |

Complementary

| | |
|--|---|
| Local signalling | Without pilot light |
| Number of cables | 1 |
| Trigger cable maximum length | 70 m |
| Body material | Zamak |
| Cover material | Stainless steel |
| Reset | By booted push-button |
| Contacts type and composition | 2 NC |
| Contact operation | Slow-break |
| Trigger cable anchor point | LH side |
| Connections - terminals | Screw clamp terminal, 1 x 0.5...2 x 1.5 mm ² |
| Tightening torque | 0.8...1.2 N.m |
| Cable entry number | 3 plain hole for Pg 13.5 or ISO M20 cable gland |
| Safety level | Can reach PL = e with the appropriate monitoring system and correctly wired conforming to EN/ISO 13849-1 Can reach category 4 with the appropriate monitoring system and correctly wired conforming to EN/ISO 13849-1 Can reach SIL 3 with the appropriate monitoring system and correctly wired conforming to EN/IEC 61508 |
| Safety reliability data | B10d = 300000 conforming to IEC 60947-5-5 value given for a life time of 20 years limited by mechanical or contact wear |
| Marking | CE |
| Mechanical durability | 60000 cycles |
| Distance between cable supports | 5 m |
| [Ie] rated operational current | 3 A at 240 V, AC-15, A300 conforming to EN/IEC 60947-5-1 appendix A 0.27 A at 250 V, DC-13, Q300 conforming to EN/IEC 60947-5-1 appendix A |
| [Ithe] conventional enclosed thermal current | 10 A |
| [Ui] rated insulation voltage | 500 V (pollution degree 3) conforming to EN/IEC 60947-1 300 V conforming to UL 508 300 V conforming to CSA C22.2 No 14 |
| [Uimp] rated impulse withstand voltage | 6 kV conforming to EN/IEC 60947-1 |
| Positive opening | With conforming to EN/IEC 60947-5-1 |
| Maximum resistance across terminals | 25 MOhm conforming to EN/IEC 60255-7 category 3 25 MOhm conforming to NF C 93-050 method A |
| Short-circuit protection | 10 A cartridge fuse type gG conforming to EN/IEC 60269 |
| Terminals description ISO n°1 | (11-22)NC (21-22)NC |

| | |
|--------------------|---------|
| Product weight | 1.45 kg |
| Compatibility code | XY2CE |

Environment

| | |
|---------------------------------------|---|
| Standards | Machinery directive 2006/42/EC EN/IEC 60204-1 EN/IEC 60947-5-1 CSA C22.2 No 14 EN/ISO 13850 EN/IEC 60947-5-5 Work equipment directive 2009/104/EC UL 508 |
| Product certifications | UL category NISD emergency stop devices CSA CCC |
| Protective treatment | TC |
| Ambient air temperature for operation | -25...70 °C |
| Ambient air temperature for storage | -40...70 °C |
| Vibration resistance | 10 gn (f= 10...300 Hz) conforming to EN/IEC 60068-2-6 |
| Shock resistance | 50 gn 11 ms conforming to EN/IEC 60068-2-27 |
| IP degree of protection | IP66 conforming to IEC 60529 |

Packing Units

| | |
|------------------------------|----------|
| Unit Type of Package 1 | PCE |
| Number of Units in Package 1 | 1 |
| Package 1 Height | 9 cm |
| Package 1 Width | 20 cm |
| Package 1 Length | 16 cm |
| Package 1 Weight | 1.547 kg |
| Unit Type of Package 2 | S03 |
| Number of Units in Package 2 | 6 |
| Package 2 Height | 30 cm |
| Package 2 Width | 30 cm |
| Package 2 Length | 40 cm |
| Package 2 Weight | 9.828 kg |

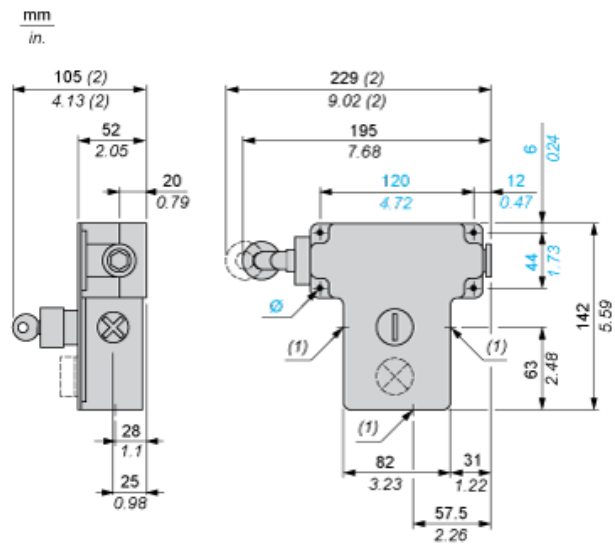
Offer Sustainability

| | |
|----------------------------|---|
| Sustainable offer status | Green Premium product |
| REACH Regulation | REACH Declaration |
| EU RoHS Directive | Pro-active compliance (Product out of EU RoHS legal scope) EU RoHS Declaration |
| Mercury free | Yes |
| RoHS exemption information | Yes |
| Environmental Disclosure | Product Environmental Profile |
| California proposition 65 | WARNING: This product can expose you to chemicals including: Diisononyl phthalate (DINP), which is known to the State of California to cause cancer, and Di-isodecyl phthalate (DIDP), which is known to the State of California to cause birth defects or other reproductive harm. For more information go to www.P65Warnings.ca.gov |

Contractual warranty

| | |
|----------|-----------|
| Warranty | 18 months |
|----------|-----------|

Dimensions



- (1) 3 plain holes for Pg 13.5 cable gland.
- (2) Maximum extension.
- Ø 4 elongated holes Ø 6 mm/0.24 in.

Electrical Curves

AC Supply 50/60 Hz Inductive Circuit

2-pole Contact Block



Y Millions of operating cycles
X Current in A

DC Supply Power Broken in for 1 Million Operating Cycles Inductive Circuit

| | | | | |
|-----------|---|----|----|-----|
| Voltage | V | 24 | 48 | 120 |
| <i>mm</i> | W | 13 | 9 | 7 |