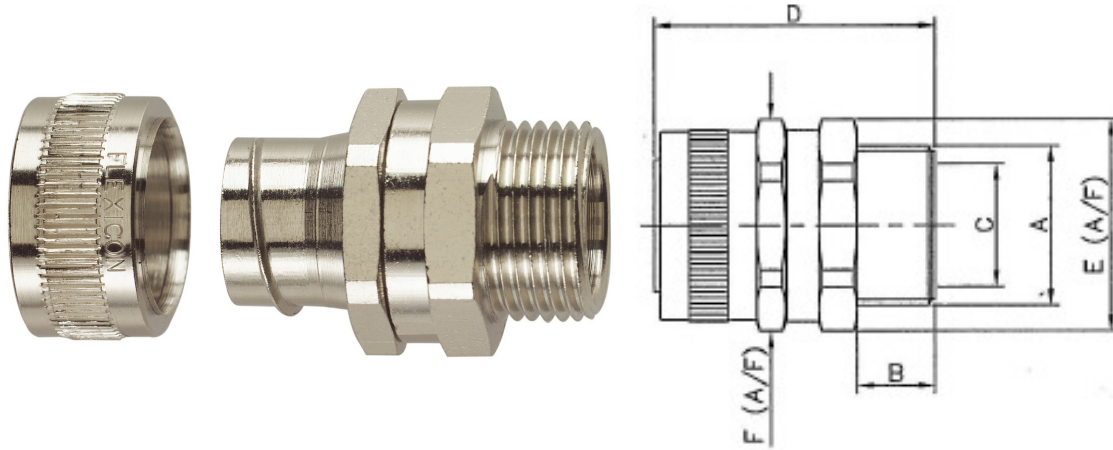


<b>Technical Data Sheet:</b>	<b>DS573/0512</b>
<b>Product Description</b>	<b>Straight, swivel, external thread, Nickel Plated Brass, FU and SSU conduit fitting.</b>
<b>Product Range</b>	<b>FU - S Type fitting (Metric Threads)</b>

Roman Way, Coleshill  
Birmingham  
B46 1HG, United Kingdom  
Tel: 00 44 (0)1675 466900  
Website: www.flexicon.uk.com



<b>Material:</b> Nickel Plated Brass
<b>Colour:</b> Self colour
<b>Fire Performance:</b> Inherently Low Fire Hazard 
<b>IP Rating:</b> • IP40
<b>Applications:</b> Suitable for metric threaded entries or knockouts. Two part fitting comprising of shell and body. The external thread swivels about the main body.
<b>Features:</b> • High tensile strength • Oil resistant • Corrosion resistant • Conforms to EN 61386
Note: also available in PG and Stainless Steel versions and fixed versions.
<b>Temperature Performance:</b> -50°C to +300°C

Conduit Size	Part No.	Metric Thread	Nominal Dimension (mm)				
			A	B	C	D	E
10	FU10-M12-S	M12 X 1.5	8.0	5.6	30.2	13.0	13.0
12	FU12-M16-S	M16 X 1.5	8.0	8.5	32.2	17.0	17.0
16	FU16-M16-S	M16 X 1.5	10.0	11.5	34.2	20.0	20.0
16	FU16-M20-S	M20 X 1.5	10.0	11.5	34.2	20.0	22.0
20	FU20-M20-S	M20 X 1.5	10.0	15.3	35.5	24.0	24.0
25	FU25-M25-S	M25 X 1.5	12.0	19.1	43.7	29.0	29.0
32	FU32-M32-S	M32 X 1.5	13.0	26.2	48.0	38.0	38.0
40	FU40-M40-S	M40 X 1.5	14.0	34.2	51.2	48.0	48.0
50	FU50-M50-S	M50 X 1.5	15.0	44.8	54.2	58.0	58.0
63	FU63-M63-S	M63 X 1.5	18.0	54.5	63.2	70.0	70.0

**Compliance, Approvals & Accreditation;**



IEC EN 61386

EN 61386 Classification Available on request

COMPLIANT TO LUL STANDARD 1-085-A3

London Underground Certificate No. 296

**Typical Applications;**



Construction



Rail



Machinery and OEM's



Defence

Errors, omissions and amendments excepted. As part of continuing product development Flexicon Ltd reserve the right to alter product specifications without prior notice. Data given is correct at time of compilation. Product specification and application data is for guidance only and does not constitute a warranty of any kind, either expressed or implied for Flexicon products or their suitability for a specific purpose. Third party approvals maybe limited to certain sizes within a product range.

Created by; <b>Colin Legg - Marketing Manager</b>	Approved by; <b>Ian Gibson - Technical Director</b>	Date; <b>May 2012</b>	Page Number; <b>Page 1 of 1</b>
--	--	--------------------------	------------------------------------