

HEAVY DUTY LIGHTS / PICTOR 620

KEY FEATURES

The Nordic PICTOR 620 work light is a low-profile LED work lamp for surface mount on the application body.

The work light offers a good lighting solution especially i.e. mounted on booms. A solid construction for hard work.

Operating temperatures: -40°C... +85°C

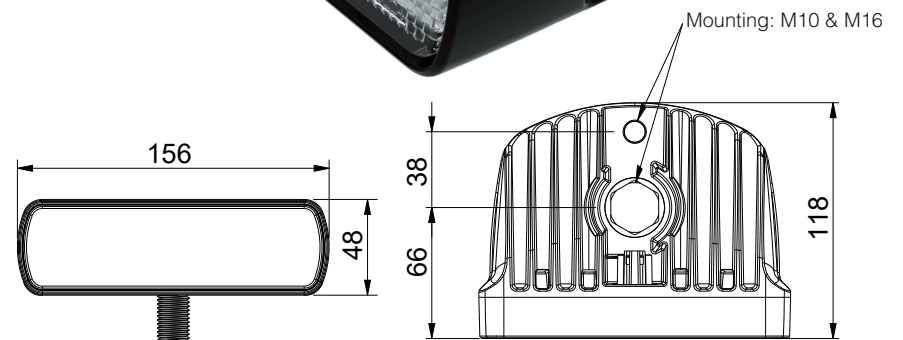
IP rating: IP68, IP6K9K

Salt mist: ISO 9227 240 h

Shock: 60 G

Vibration: 15.3 Grms

Weight: 0.7 kg



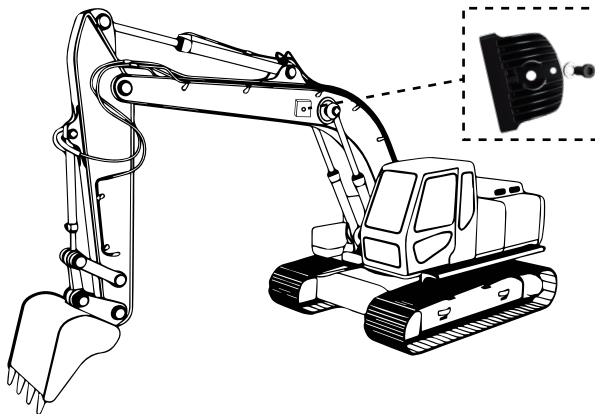
SPECIFICATIONS



TECHNICAL SPECIFICATIONS

PICTOR 620

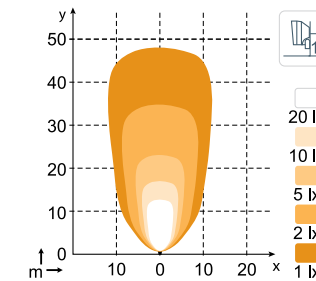
Theoretical / Operational Lumens Output:	2700lm / 1800lm
Colour Temperature:	5000 K
Nominal / Input Voltage DC:	12, 24V / 9-16, 18-32V
Power Consumption:	28 W
Nominal Current:	12V=2.0A / 24V=1.0A
Mount:	M10 & M16
Connector:	Built-in Deutsch 2-pin
EMC:	CISPR 25 Class 5, ISO 14982, ISO 13766, ISO 13309, ISO 11452-2, ISO 7637-2, EN 61000-4-2, ISO 14982, EN 12985
Electronics:	Integrated
Shock:	60 G
Vibration:	15.3 Grms 24-2000 Hz
Lens:	Grilamid® (registered trademark of EMS-GRIVORY)
IP Rating:	IP68, IP6K9K
Weight:	0.7 kg
Operating Temperatures:	-40°C... +85°C (Overheat protected)



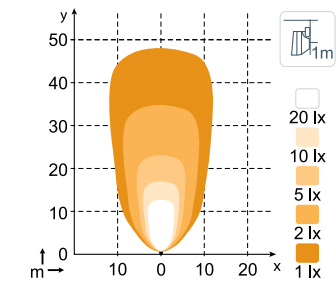
Application example. (LH US + RH US)

LIGHT PATTERNS

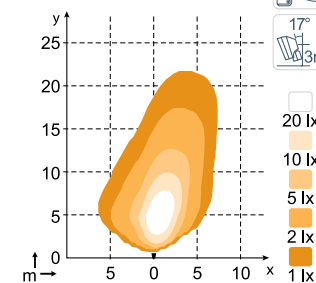
Pictor 620, 1800lm Flood TT DS



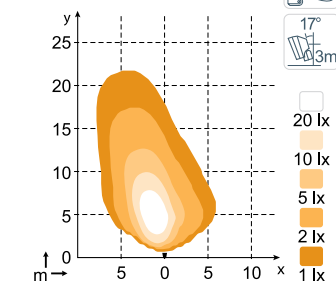
Pictor 620, 1800lm Flood TD US



Pictor 620, 1800lm Flood RH US



Pictor 620, 1800lm Flood LH US



ALTERNATIVES

TT DS (Top Top)
Lightpattern: Downside



TD US (Top Down)
Lightpattern: Upside

