

- Quick mounting.
- Designed for working with no filter.
- Quick and simple maintenance
- ALUZINC structure: rust free for more than 600 hours in saline fog.
- Optional: Alarm signal for leakage water.
- No water inside cabinet.

| Models | Voltage Frequency | Version (V) | Compliance | Certification on demand |
|-----------|--------------------|-------------|------------|-------------------------|
| MWP0640TH | 1~ 230V 50/60Hz | 0 | CE | |
| MWP0641TH | 1~ 230V 50/60Hz | 1 | CE | |

On demand: Stainless steel(AISI304) cover; Special painting.

Available version on demand:

(V) 0 = NO thermostat control

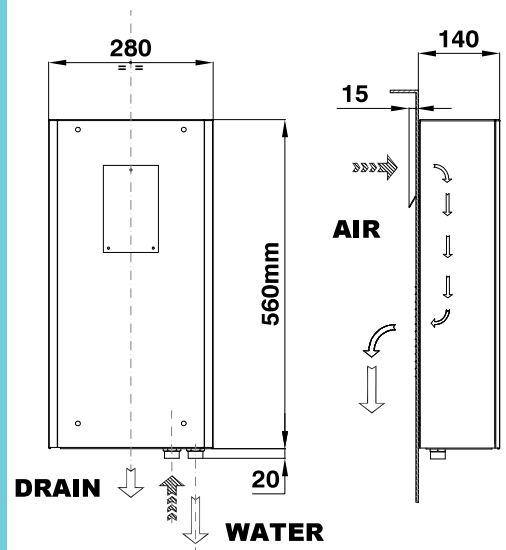
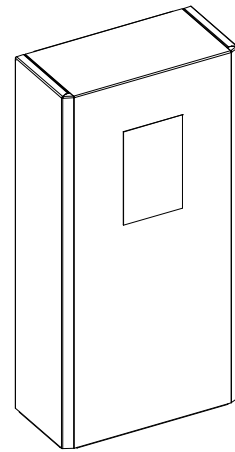
(V) 1 = Electromechanical thermostat + electromagnetic valve.

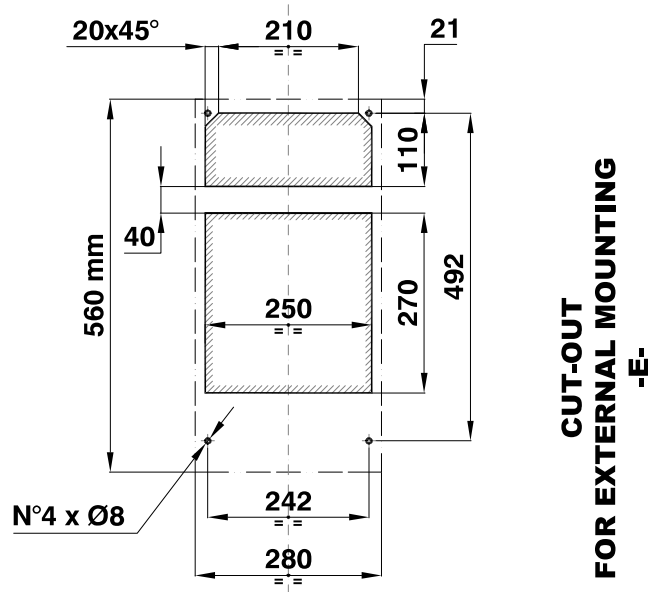
(V) 2 = Electromechanical thermostat + electromagnetic valve + alarm signal + high level signal (leakage of water).

| Operating voltage ±10% | Voltage | I rated 50/60 Hz | I start-up 50/60 Hz | Protection fuse |
|---------------------------|---------|---------------------|------------------------|--------------------|
| | 230 V | 0,2 A | 0,4 A | T 3 A |

Technical data

| | | |
|---|------------------------------------|-------------------------|
| Rated cooling power (L35 W10-200l/h) | 0,7 kW | |
| Absorbed electrical power | 0,04 kW | |
| Fan flow rate | 330 m³/h | |
| Temperature range | +1° ÷ + 70 °C | [33,8 ÷ 158 °F] |
| Noise level | 55 dB(A) | |
| Weight | 10 kg | [22,05 lb] |
| Continuous duty | 100% | |
| Protection standard | IP 54 | |
| Cooling medium | Water (See specifications) | |
| Water inlet temperature | > +1° C to + 30° C, Qmax = 500 l/h | |
| Permissible operating pressure p. max. | 1 to 10 bar | [14,5 ÷ 145 psi] |
| Standard colour | RAL 7035 | |
| Power connection | Connector | |
| Dimensions W x H x D | 280x560x140 | [11,02x22,05x5,51 in] |
| Installation environment | Indoor | |





1 mm = 25.4 "
1 " = 0.03937 mm

