
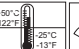






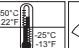

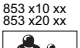


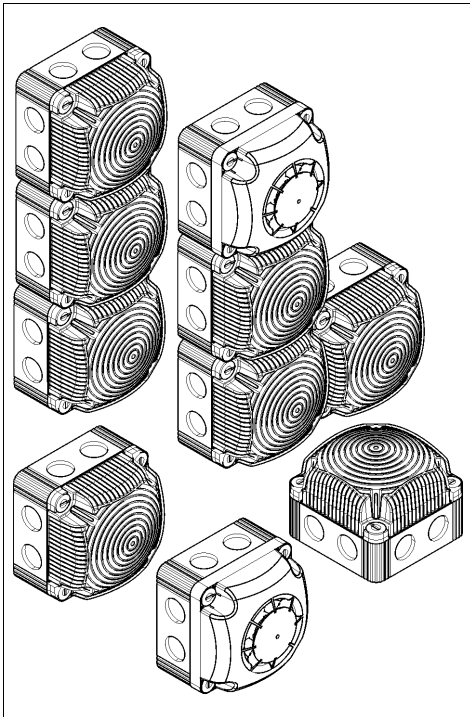
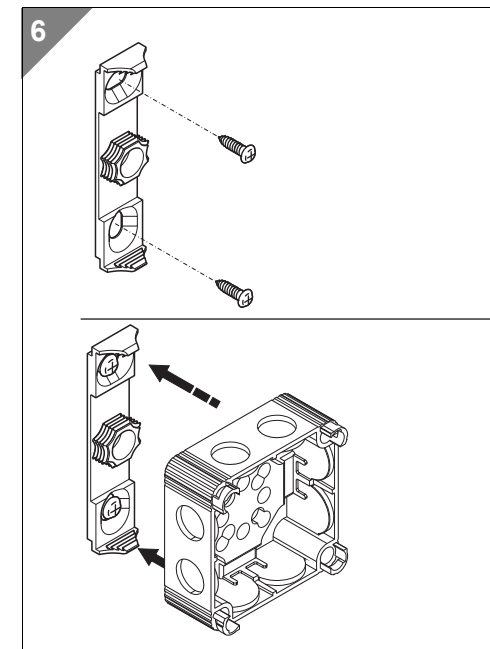
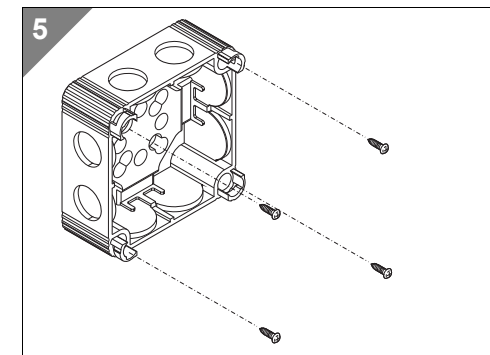
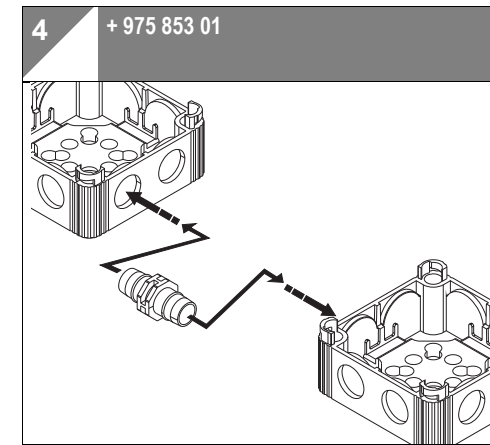
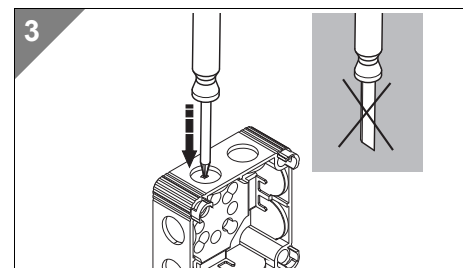
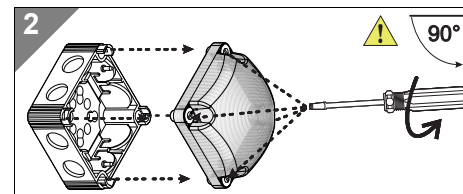
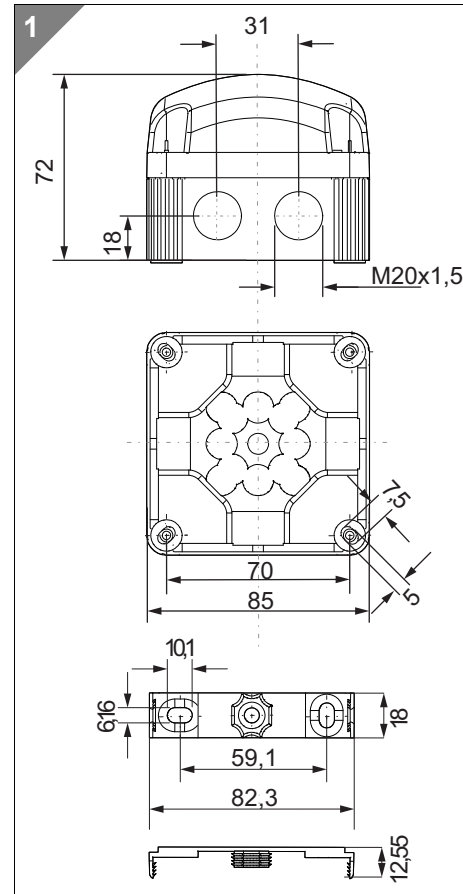
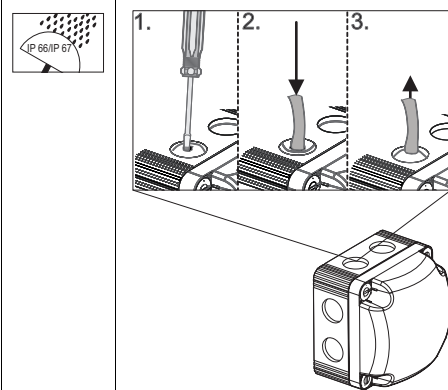
 <b>153</b>			
			
 <b>853</b>			
			

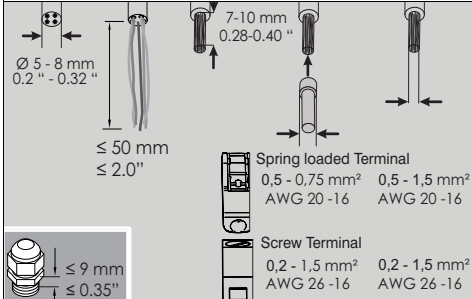
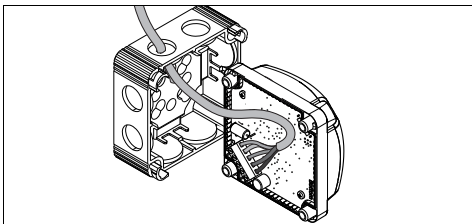


- (D) Anschluss **ausschließlich** durch ausgebildete Elektro-Fachkräfte.
- (GB) Electrical connection is to be made by trained electrical specialists **only**.
- (F) Le branchement doit **uniquement** être effectué par des professionnels.
- (I) Il collegamento deve essere eseguito **solo** da elettricisti specializzati.
- (E) La conexión **sólo** debe ser realizada por electricistas debidamente formados.
- (PT) A ligação deve ser feita **exclusivamente** por profissional elétrico especializado.
- (NL) De aansluiting mag **enkel** gebeuren door erkende vakmensen.
- (CZ) Připojení smí **provádět** pouze kvalifikovaný personál.
- (PL) Podłączenie **wyłącznie** przez specjalistów-elektryków.
- (FI) Liittäminen kuuluu **ainoastaan** koulutettujen sähköalan ammattilaisten tehtäviin.
- (RUS) Подключение проводится только специалистом-электриком.
- (TR) Bağlantı **sadece** eğitimli elektrik teknisyenleri tarafından yapılmalıdır.
- (CN) 布线需由专业电工执行

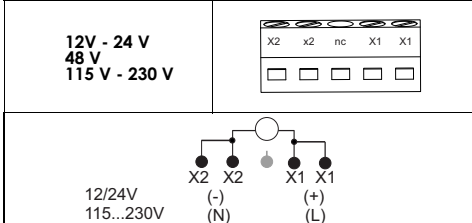


**7a** LED 853

**⚠ DANGER**



**LED (853 x20 xx)**



**Leuchtbild, Light effect, Effet lumineux**

<b>Dauerleuchte/Permanent/Feu fixe</b>	
853 x00 54	12 VDC, ≤ 180 mA, I <sub>0</sub> < 1250 mA
853 x00 55	24 VDC, ≤ 80 mA, I <sub>0</sub> < 500 mA
853 x00 66	48 VAC, ≤ 35 mA, I <sub>0</sub> < 200 mA
853 x00 60	115-230VAC, ≤ 40 mA, I <sub>0</sub> < 7 A
<b>Doppelblitz/Double Flash/Double Flash</b>	
853 x10 54	12 VDC, ≤ 100 mA, I <sub>0</sub> < 1250 mA
853 x10 55	24 VDC, ≤ 80 mA, I <sub>0</sub> < 500 mA
853 x10 66	48 VAC, ≤ 90 mA, I <sub>0</sub> < 2 A
853 x10 60	115-230 VAC, ≤ 180 mA, I <sub>0</sub> < 7 A
<b>EVS</b>	
853 x20 54	12 VDC, ≤ 400 mA, I <sub>0</sub> < 1250 mA
853 x20 55	24 VDC, ≤ 200 mA, I <sub>0</sub> < 500 mA
853 x20 66	48 VAC, ≤ 95 mA, I <sub>0</sub> < 2 A
853 x20 60	115-230 VAC, ≤ 180 mA, I <sub>0</sub> < 7 A

**LED-Multicolour (853 480 55)**

<b>24V</b>	
Colour	Technical Data
RD	80mA/ ~1,9 W
GN	70 mA/ ~1,7W
YE	115mA/ ~ 2,7 W
WH	130mA/ ~ 3,4W
BU	70mA/ ~ 1,7 W
VIO	125mA/ ~ 3W
CYN	120mA/ ~ 2,9W

**LED-RGY (853 480 60)**

<b>230V</b>		
Colour	115 V	230 V
	50 Hz	60 Hz 50 Hz
RD	14mA/ 0,55W	17mA/ 0,55W 22mA/ 1,15W
YE	20mA/ 0,94W	24mA/ 0,94 35mA/ 2W
GN	14mA/ 0,65W	17mA/ 0,65W 23mA/ 1,4W

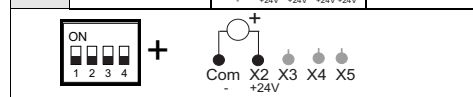
**7b** Sounder 153

**⚠ WARNING**

**Sounder 153 000 54**  
**153 000 55**

<b>12V</b> <b>24V</b>	
153 000 54	12VDC, ≤ 70 mA, I <sub>0</sub> < 500 mA
153 000 55	24VDC, ≤ 120 mA, I <sub>0</sub> < 500 mA

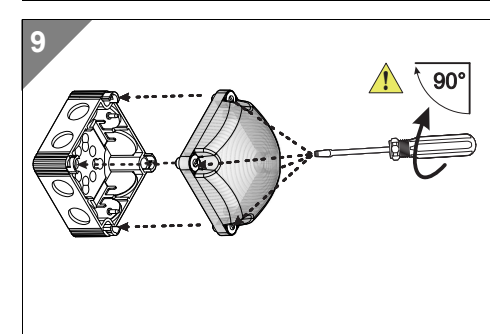
Tone	Tone Type	Frequencies
1	Dauerton Continuous continu	~ 3000 Hz
5	ansteigend rising montant	~ 800- 970Hz @ 1Hz
6	ansteigend rising montant	~2400-2850 Hz @ 7 Hz
7	abfallend falling incline	1200-500 Hz @ 1 Hz
8	Volume max. = off Volume - 10 dB = on	



Tone	Code	Tone Type	Frequencies
1	<b>000x</b>	Dauerton Continuous continu	~ 3000 Hz
2	<b>001x</b>	Hupenton horn tone trompe	~ 110 Hz
3	<b>010x</b>	1Hz Ton 1Hz tone 1Hz ton	~ 3000 Hz
4	<b>011x</b>	20 Hz Trillerton 20 Hz whistle tone 20 Hz trille	~ 3000 Hz
5	<b>100x</b>	ansteigend rising montant	~ 800- 970Hz @ 1Hz
6	<b>101x</b>	ansteigend rising montant	~2400-2850 Hz @ 7 Hz
7	<b>110x</b>	abfallend falling incline	1200-500 Hz @ 1 Hz
8	<b>111x</b>	alternierend alternat alternant	800/1200 Hz @ 1 Hz
9	<b>xxx1</b>	Volume max. = off Volume - 10 dB = on	

**Sounder 153 000 60**  
**153 000 66**

<b>48V</b> <b>115...230V</b>		
153 000 60	115-230VAC, ≤ 150mA, I <sub>0</sub> < 7A	
153 000 66	48VAC, ≤ 150 mA, I <sub>0</sub> < 2A	
Tone	Tone Type	Frequencies
1	Dauerton Continuous continu	~ 3000 Hz
8	Volume max. = off Volume - 10 dB = on	



310.853.001.0116