

"FF12AN" SERIES FAN FILTERS

Description: **Fan Filter 115/230 Va.c.**



Type of material: PC/ABS Alloy, PA 66 GF13 HSL for elastic clips

Standard color: RAL 7035 - other colors on request

Protection degree: IP54, according to 60529 standard
Type 12 according to UL 508 Std
by elastic clips, otherwise by four self-threading screws

Fixing system:

Plate thickness: from 1.3 mm to 3.2 mm

Storage temperature: from -40°C to +70°C

Motor Lifetime L10 at 25°C: 100,000 h

Motor protection: thermal

Electrical connection: by screwless terminal block 3 poles L-N-PE, 0.08-2.5 mm² (28-14 AWG)

Appliance class: class I

Type of filter media: thermo-linked progressive structure synthetic fibre

Filtering class: class G3, according to EN 779

Degree of separation: 85% - DIN 24185

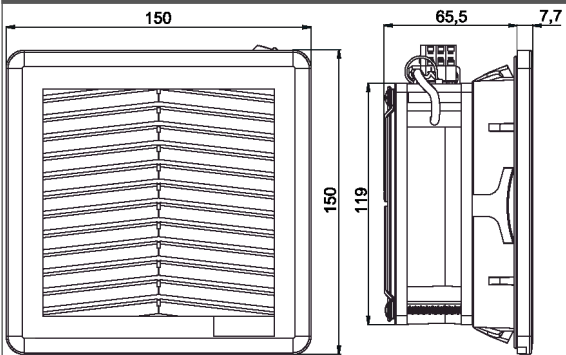
Dust retention capacity: 600 g/m²

Note: filter media is washable for about 10 times

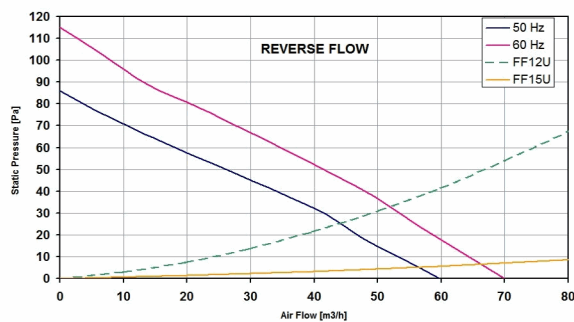
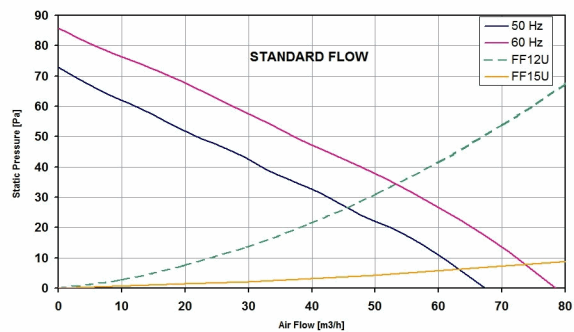
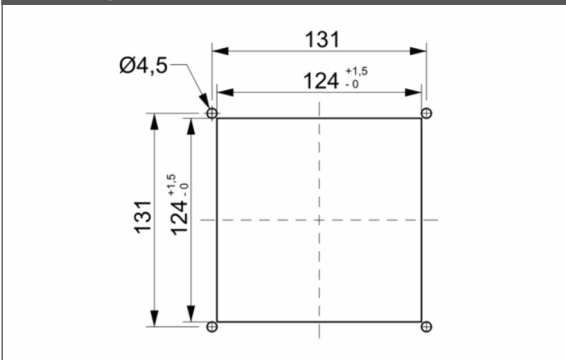
Weight: 0.8 Kg

Approvals: CE, UL E237844, CSA

technical drawing (standard flow)



mounting cut-out



Model	Voltage (V)	Frequency (Hz)	Rated Current (A)	Rated Power (W)	Max Air Flow** (m ³ /h)	Static Pressure (Pa)	Fan Noise [db(A)]	Rated Temp. Range (°C)	Approvals
FF12A115UN	115 V a.c.	50/60	0.260/0.220	19/17	67/79	73/86	40.0/44.0	-10 + +55	CE; cURus; cCSAus
FF12A115UNR	115 V a.c.	50/60	0.260/0.220	19/17	60/70	86/115	40.0/44.0	-10 + +55	CE; cURus; cCSAus
FF12A230UN	230 V a.c.	50/60	0.130/0.100	18/16	67/79	73/86	40.0/44.0	-10 + +55	CE; cURus; cCSAus
FF12A230UNR	230 V a.c.	50/60	0.130/0.100	18/16	60/70	86/115	40.0/44.0	-10 + +55	CE; cURus; cCSAus

data with uncertainty of 15%

All specifications, data and drawing are subject to change without notice. Please refer to our terms of sales including our warranty and limited liabilities clauses.