

AB105LDA Alarm Sounder & LED Beacon

The AB105LDA combines a compact high output 112dB(A) alarm sounder with a powerful multi-function L.E.D. beacon.

The beacon and sounder can be operated from the same power source or controlled individually.

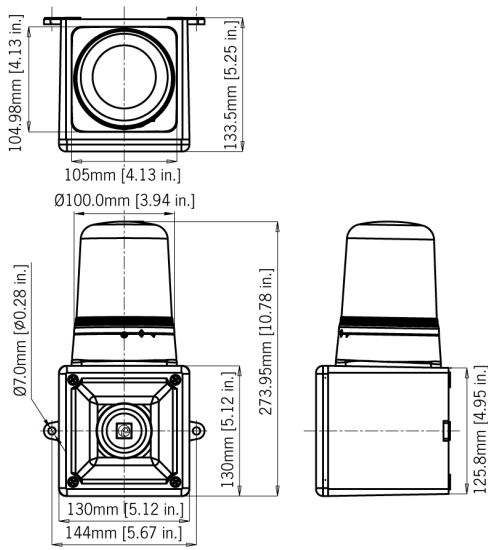
Features

- Automatic synchronisation on multi-sounder system.
- Continuously rated.
- Stainless steel fixings.
- Unit can be mounted using external lugs or internal BESA compatible fixing positions.
- Duplicate cable terminations (in & out for daisy-chain installations).
- Tropicalisation available on request.
- Available with custom tone configurations and frequencies.
- 'Programmable' version available:
 - 45 alarm tones
 - 4 remotely selectable stages
 - Any tone can be assigned to any stage
 - User configurable continuous frequency tone

Approvals

- Alarm sounder (A105N) VdS approved: EN54-3 (CPD 89/106/EEC).





Specification

Sounder:

Maximum output:	112dB(A) @ 1 metre [103dB(A) @ 10ft/3m]
Nominal output:	105dB(A) @ 1m +/- 3dB - Tone 2 [96dB(A) @ 10ft/3m]
No. of tones:	32 (UKOOA / PFEER compliant) \
No. of stages:	3
Volume control:	Max. 105dB(A); Min. 96dB(A) - Tone 2
Effective range:	60m/197ft @ 1KHz
Stage switching:	Negative Reverse polarity stage switching on DC units.

Beacon:

Light source:	Array of 16 multi-function high power L.E.D's
Operating modes:	4 rotating configurations 4 flashing configurations Steady mode for indicator / status applications
Peak/Effective Intensity cd:	19 cd* - measured ref. to I.E.S.
No. of stages:	DC unit also features a remotely selectable 2nd stage flash pattern.
L.E.D / lens colours:	Amber, Blue, Clear (white L.E.D.s), Green, Red & Yellow

General:

Voltages DC:	24V dc (10-30V dc); 48V dc (35-60V dc)
Voltages AC:	115V ac; 230V ac
Ingress protection:	IP65
Housing material:	High impact UL94 V0 & 5VA FR ABS
Lens material:	UV stable PC UL94 V0 FR Bayonet lens fixing , Anti-tamper locking screw.
Colour:	Red (RAL3000) and grey (RAL7038)
Cable entries:	2 x M20 clearance gland entries in side & back
Terminals:	0.5 to 1.5mm ² cables.
Operating temp:	-25 to +55°C [-13° to +131°F]
Storage temp:	-40 to +70°C [-40° to +158°F]
Relative humidity:	90% at 20°C [68°F]

Part Codes

Version:	Part code:
24V dc	AB105LDADC24[x]/[y]
48V dc	AB105LDADC48[x]/[y]
115V ac	AB105LDAAC115[x]/[y]
230V ac	AB105LDAAC230[x]/[y]

[x] = Enclosure: G: Grey R: Red
[y] = Lens colour: A: Amber B: Blue C: Clear
G: Green R: Red Y: Yellow

Suffix part number with 'P' for programmable, 4 stage, 45 tone version.

Alarm Sounder

Version:		Voltage:	Current:
24V dc	□	10-30V dc	25mA*
48V dc	□	35-60V dc	50mA*
115V ac	50/60Hz	+/-10%	20mA
230V ac	50/60Hz	+/-10%	15mA

* current at nominal voltage on Tone 2

L.E.D. Beacon

Version:		Voltage:	Current :
24V dc	□	10-50V dc	130mA*
48V dc	□	10-50V dc	130mA*
115V ac	50/60Hz	+/-10%	90mA
230V ac	50/60Hz	+/-10%	50mA

* current at 24V dc

Beacon modes

Mode:	Stage 1	Stage2 [DC only]
1	All L.E.D's on	Alternate Side Flash 2Hz
2	Rotating: Slow1	Alternate Side Flash 2Hz
3	Single Strike Flash 2Hz	Rotating: Fast 2
4	Rotating: Fast 1	Single Strike Flash 2Hz
5	Rotating: Slow 2	Double Strike Flash 1Hz
6	Double Strike Flash 2Hz	Rotating: Fast 2
7	Rotating: Fast 2	Double Strike Flash 2Hz
8	Double Strike Flash 1Hz	Alternate Side Flash 2Hz
9	Alternate Side Flash 2Hz	Rotating: Fast 2

Tone table

S 1	Description	S 2	S 3
T 1	340 Hz Continuous	T 2	T 5
T 2	800/1000Hz @ 0.25 sec Alternating	T 17	T 5
T 3	500/1200Hz @ 0.3Hz 0.5 sec Slow Whoop	T 2	T 5
T 4	800/1000Hz @ 1Hz Sweeping	T 6	T 5
T 5	2400Hz Continuous	T 3	T 20
T 6	2400/2900Hz @ 7Hz Sweeping	T 7	T 5
T 7	2400/2900Hz @ 1Hz Sweeping	T 10	T 5
T 8	500/1200/500Hz @ 0.3Hz Sweeping	T 2	T 5
T 9	1200/500Hz @ 1Hz - DIN / PFEER P.T.A.P.	T 15	T 2
T 10	2400/2900Hz @ 2Hz Alternating	T 7	T 5
T 11	1000Hz @ 1Hz Intermittent	T 2	T 5
T 12	800/1000Hz @ 0.875Hz Alternating	T 4	T 5
T 13	2400Hz @ 1Hz Intermittent	T 15	T 5
T 14	800Hz 0.25sec on, 1 sec off Intermittent	T 4	T 5
T 15	800Hz Continuous	T 2	T 5
T 16	660Hz 150mS on, 150mS off Intermittent	T 18	T 5
T 17	544Hz (100mS)/440Hz (400mS) - NF S 32-001	T 2	T 27
T 18	660Hz 1.8sec on, 1.8sec off Intermittent	T 2	T 5
T 19	1.4KHz-1.6KHz 1s, 1.6KHz-1.4KHz 0.5s -NFC48-265	T 2	T 5
T 20	660Hz Continuous	T 2	T 5
T 21	554Hz/440Hz @ 1Hz Alternating	T 2	T 5
T 22	544Hz @ 0.875 sec. Intermittent	T 2	T 5
T 23	800Hz @ 2Hz Intermittent	T 6	T 5
T 24	800/1000Hz @ 50Hz Sweeping	T 29	T 5
T 25	2400/2900Hz @ 50Hz Sweeping	T 29	T 5
T 26	Bell	T 2	T 15
T 27	554Hz Continuous	T 26	T 5
T 28	440Hz Continuous	T 2	T 5
T 29	800/1000Hz @ 7Hz Sweeping	T 7	T 5
T 30	300Hz Continuous	T 2	T 5
T 31	660/1200Hz @ 1Hz Sweeping	T 26	T 5
T 32	Two T chime.	T 26	T 15