

B400LDA LED Beacon [Multi-Function Array]

The B400 series comprises Xenon strobe beacons, permanent filament bulb or halogen beacon, blinking filament bulb or halogen beacon, rotating halogen beacon and a multi-function LED array beacon.

The surface mount base can also be supplied with a right angle bracket or with a pole mounted assembly.

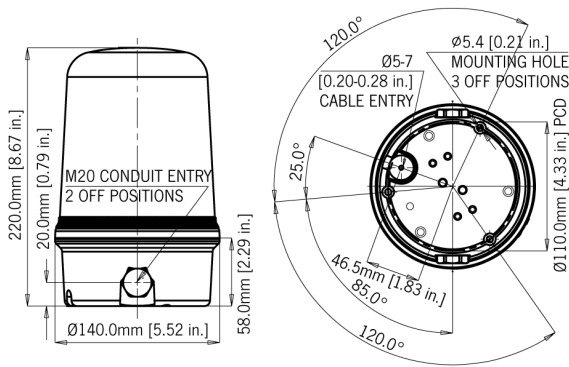
Features

- Bayonet fixing lens.
- Anti-tamper locking screw.
- Stainless steel fixings.
- Multiple cable entries

Approvals

- GOST-R certificate: POCC GB.JB05.H00144.





Specification

Light source:	Array of 32 high output L.E.D.'s
Function:	Total of 9 user selectable operation modes: *4 rotating configurations. *4 flashing configurations. *Steady mode for status applications.
Stages:	DC unit: remotely selectable 2nd & 3rd stage pattern.
Peak/Effective Intensity cd:	30 cd* - measured ref. to I.E.S.
Lens colours:	Amber, Blue, Clear, Green, Red & Yellow
Lens type:	Prismatic (standard) or plain
Mounting:	Surface mount (right angle or pole mount accessories available)
Entries:	1 x 5-7mm push through grommet 2 x M20 cable entry
Dimensions:	Ø140 x 220mm
Ingress protection:	IP65
Housing material:	High impact UL94 V0 (f1) PC
lens material:	High impact UL94 V0 (f1) PC
Terminals:	1.5 mm ² flying lead assembly
Operating temp:	-25 to +50°C [-13 to +122 °F]
Storage temp:	-40 to +70°C [-40 to +158°F]
Relative humidity:	90% at 20°C [68°F]
Weight:	AC:845g/1.85lbs DC:595g/1.3lbs
*Candela measurements representative of performance with clear lens at optimum voltage	

Part Codes

Version:	Part code:
10-50V dc	B400LDA050B/[x]
115V ac	B400LDA115B/[x]
230V ac	B400LDA230B/[x]

[x] = Lens colour: A: Amber
B: Blue
C: Clear
G: Green
R: Red
Y: Yellow

Current Consumption

Version:	Current m A:	
10-50V dc	400mA @ 2.4V dc	
115V ac	50/60Hz	140mA
230V ac	50/60Hz	70mA

Multi-function patterns

Mode:	Stage 1:	Stage 2: DC only	Stage 3: DC only
1	All L.E.D.'s on	Alternate Side Flash 1:1 2Hz	Double Strike Flash 2Hz
2	Rotating: Fast 1	Rotating: Fast 2	All L.E.D.'s on
3	Rotating: Fast 2	Double Strike Flash 2Hz	All L.E.D.'s on
4	Rotating: Slow 1	Alternate Side Flash 1:1 2Hz	All L.E.D.'s on
5	Rotating: Slow 2	Double Strike Flash 1Hz	All L.E.D.'s on
6	Double Strike Flash 1Hz	Alternate Side Flash 1:1 2Hz	All L.E.D.'s on
7	Single Strike Flash 2Hz	Rotating: Fast 2	All L.E.D.'s on
8	Double Strike Flash 2Hz	Rotating: Fast 2	All L.E.D.'s on
9	Alternate Side Flash 1:1 2Hz	Rotating: Fast 2	All L.E.D.'s on